

LIPS RETRACTABLE THRUSTER SELECTION UP TO 2000 KW

Electric motor									
MCR motor power	kW	1000		1200		1600		2000	
	HP	1360		1632		2176		2720	
Frequency	Hz	50	60	50	60	50	60	50	60
Nominal motor speed	rpm	1000	1200	1000	900	1000	900	750	720
Thruster type		175		200		225		250	
Propeller diameter	mm	1700		1900		2100		2400	
Reduction ratio		2.643	3.154	2.929	2.929	3.308	2.929	2.714	2.714
Propeller speed	rpm	378	380	341	307	302	307	276	265
Thrust at zero knots									
in nozzle	kN	165		200		260		320	

Variations per type

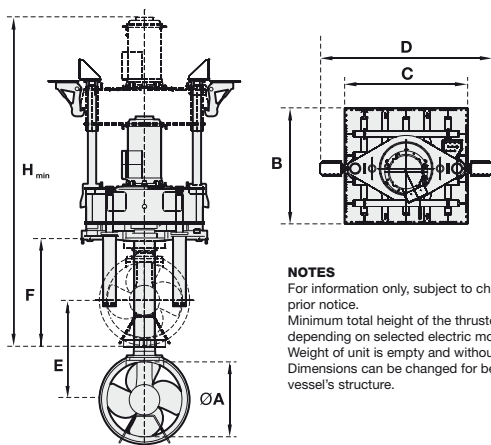
Fixed pitch propeller (FS) or controllable pitch propeller (CS).
Reduction ratios optimized for application.
L-drive and Z-drive are available.

Remarks

Above information is for vertical e-drive only.
For information only, subject to change without prior notice.
The propellers are designed for bollard pull condition at 100% MCR power in DP application.
Final selection is subjected to classification societies rules.
Selections are not valid for classification with iceclass.

LIPS RETRACTABLE THRUSTERS DIMENSIONS

Thruster type	A mm	B mm	C mm	D mm	E mm	F mm	H _{min} mm	Estimated motor height mm	Weight unit kg	Weight auxiliaries kg
175 FS CS	1700	2700 2850	2950	4050	2200	2400	7700	1850	18000 19000	2000 2500
200 FS CS	1900	2850 3000	3050	4160	2450	2700	8600	1900	20000 21000	2000 2500
225 FS CS	2100	3300 3450	3590	4625	2650	3000	9000	2000	22000 23000	2000 2500
250 FS CS	2400	3710 3710	3666	4625	3000	3370	10000	2200	34000 32000	2000 2500



NOTES

For information only, subject to change without prior notice.
Minimum total height of the thruster unit is depending on selected electric motor.
Weight of unit is empty and without electric motor.
Dimensions can be changed for better fit in the vessel's structure.