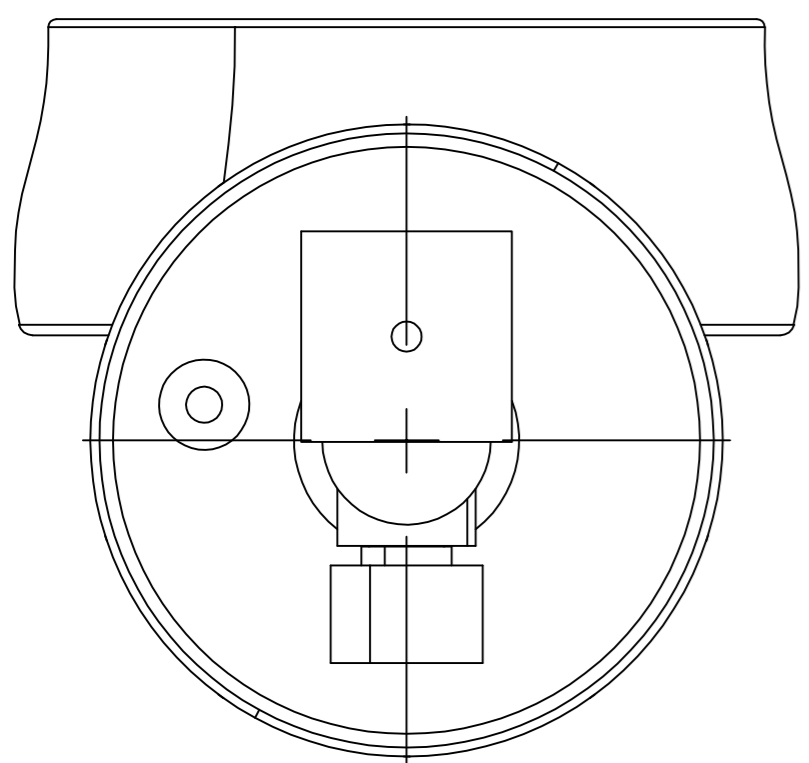


Ø2100(Propeller diameter)

Approximate weight for FS version 14400 kg.
Approximate weight for CS version 15800 kg.



Project Name	W-92	Scale	1:25
Date		Standard	
Author		Drawn by	
		Weight list	
WARTSILA FS/CS 225 THRUSTER OUTLINE WITH HR NOZZLE WITH CLUTCH PROPELLER DIAMETER 2100 mm Prop. No. DAAK006603 Scale: A1 1/1			

This drawing is the property of Wartsila Propulsion Norway AS, and shall neither be copied, shown nor communicated to a third party without approval of the owner.